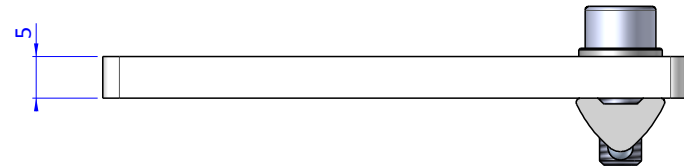
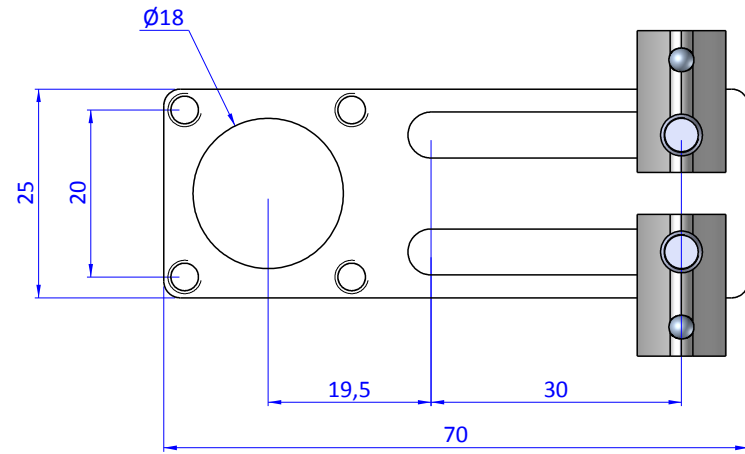
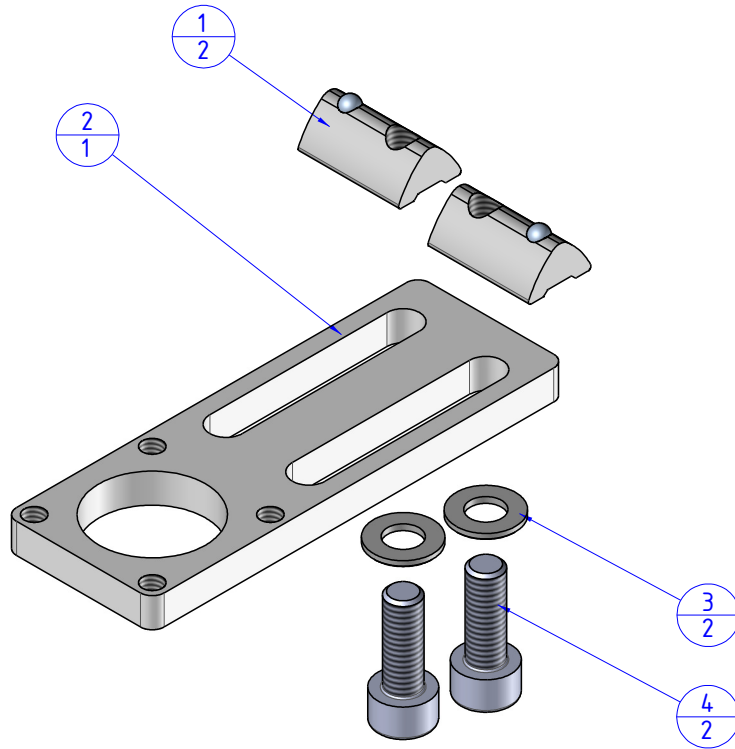


THE PROPERTY OF THE DRAWING IS ESTABLISHED BY LAW. IT IS FORBIDDEN TO PRODUCE OR SHOW IT TO THIRD PARTY, WITHOUT A WRITTEN AGREEMENT.

Item	Name	Q.ty
1	02.05.005	2
2	CA.11.08.002	1
3	R.5	2
4	V.TCE5x14	2



Format A3

UNI 936-76

		DESIGNED FROM		REVIEW
		FPS Automation		A
GENERAL TOLERANCE		DATE	WEIGHT	
UNI - ISO 2768		20/05/2019	0,034kg	
CLASSE f	DESCRIPTION	CODE		
	CA.11.08.002.X	CA.11.08.002.X		